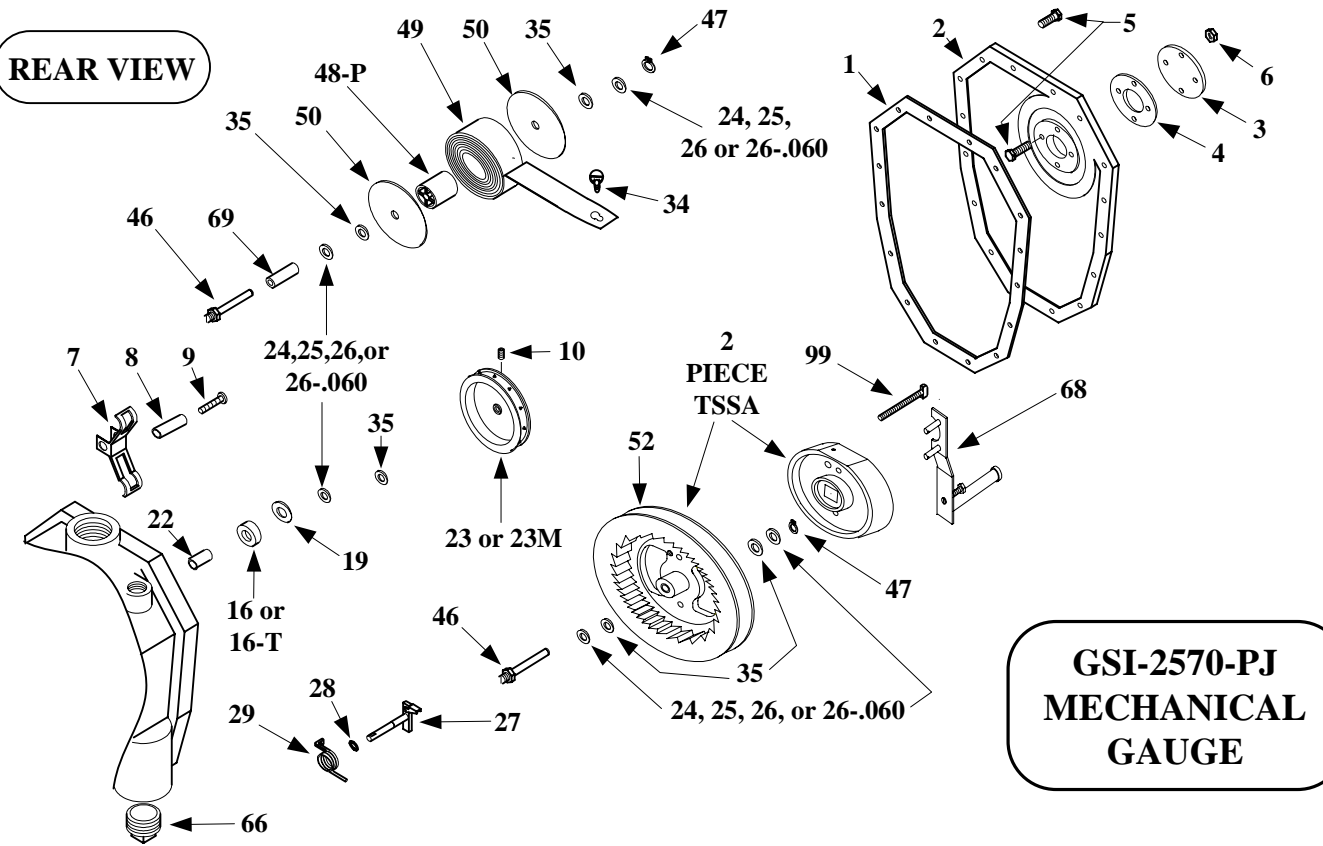


FRONT VIEW



**GSI-2570-PJ
MECHANICAL
GAUGE**

SEE BACK OF THIS PAGE FOR LIST OF PART NUMBERS AND DESCRIPTIONS:

EXAMPLE: Item Number 7 on Drawing will be G-2570-7 in the Parts List

Determine part/s needed from drawings above and fill in the quantities on the reverse side. Provide your name, e-mail, company, address, phone, fax, e-mail, and forward the list for quotation to:

Gauging Systems Inc. (GSI)

910 Industrial Blvd. · Suite A · Sugar Land · Texas · 77478
 Phone: (281) 980-3999 · Fax: (281) 980-6929 · E-mail: gsihoutx@msn.com
[Http://www.gaugingsystemsinc.com](http://www.gaugingsystemsinc.com)

Gauging Systems Inc. (GSI), P.O. Box 680, Sugar Land, TX. 77487-0680 • Phone 1-800-444-1327 • Fax 281-980-6929

Name: _____		E-mail: _____	
Company: _____		Phone: _____	Fax: _____
Bill To: _____ _____		Ship to address: _____ _____	

QTY	PART NO.	CROSS REF.	DESCRIPTION	PRICE	AMOUNT
	G-2570-1		Back Cover Gasket		
	G-2570-4	B5059-071	Cap Gasket *		
	G-2570-7	BA11346	Tape Keeper, Includes Items 8 & 9 *		
	G-2570-10		Set Screw, 1/4-20 x 3/8 *		
	G-2570-11	BA17597	Shaft/Hub Assy, Includes Items 12 & 34 * (1)		
	G-2570-12	B8234-001	Inch Dial Retainer Ring *		
	G-2570-13	B8235-005	Inch Dial Gear (English or Decimal) *		
	G-2570-13M	B8237-005	Dial Gear (Metric) *		
	G-2570-14	P25-16	Pinion Gear *		
	G-2570-16		Seal, Rubber *		
	G-2570-16T	B10221-093	Seal, Teflon *		
	G-2570-19		Gland Washer *		
	G-2570-23	DA3197	Sprocket, English *		
	G-2570-23M	DA3930	Sprocket, Metric *		
	G-2570-24		Shim, .005 Thick, S/S *		
	G-2570-25		Shim, .010 Thick, S/S *		
	G-2570-26		Shim, .040 Thick, S/S *		
	G-2570-27	BA14055	Checker Assembly, Includes Item 28, 32 & 31 * (1)		
	G-2570-28		“O”-Ring, Buna *		
	G-2570-29	B7796-005	Checker Spring *		
	G-2570-30	B7792-011	Checker Handle, Includes Item 10 & 33 *		
	G-2570-31		Snap Ring *		
	G-2570-32		Shim		
	G-2570-34		Screw, 8-32 x 3/8 *		
	G-2570-35		Shim, Teflon *		
	G-2570-36	B8218-001	Inch Dial, Fractional Innage *		
	G-2570-37	B9616-001	Inch Dial, Fractional Outage *		
	G-2570-38	B7987-001	Inch Dial, Decimal Innage *		
	G-2570-39		Inch Dial, Decimal Outage *		
	G-2570-40	B8325-001	Dial, Metric Innage *		
	G-2570-42		Counter Cover Gasket		
	G-2570-43		Counter Cover		
	G-2570-44		Counter Cover Glass		
	G-2570-45		Screw, 1/4-20 x 1-1/2 *		
	G-2570-46	BA7763	Sheave Assembly Shaft, 1/2-20 Threads *		
	G-2570-47	P10-2	Sheave Assembly Snap Ring *		
	G-2570-48-P		Negator Motor Hub, Plastic w/ Outer Flange *		
	G-2570-49	P1-5	Negator Motor *		
	G-2570-50	B14872-001	Negator Motor Flange (Outer) * (1)		
	G-2570-52	B7761	Plane Jane Tape Storage Sheave Assembly *		
	G-2570-54	BM18849-100	Counter Assembly, English Innage *		
	G-2570-55	BM19954-100	Counter Assembly, English Outage *		
	G-2570-56		Counter Assembly, Decimal Innage *		
	G-2570-57		Counter Assembly, Decimal Outage *		
	G-2570-58	BM18850-100	Counter Assembly, Metric Innage *		
	G-2570-60	D6045-000	Foot Wheel X 1, Innage *		
	G-2570-61	D6046-000	Foot Wheel X 10, Innage *		
	G-2570-62	D6342-000	Foot Wheel X 1, Outage *		
	G-2570-63	D6343-000	Foot Wheel X 10, Outage *		
	B7795-005	B7795-005	Replacement Hair Spring, Checker Assembly *		

FOOT NOTES

* Parts are interchangeable with other manufacturers gauges

(1) Available in kit form, consult GSI

FOR A COMPLETE LIST OF PART NUMBERS, SEE THE GSI 2570-PJ GAUGE KIT MANUAL