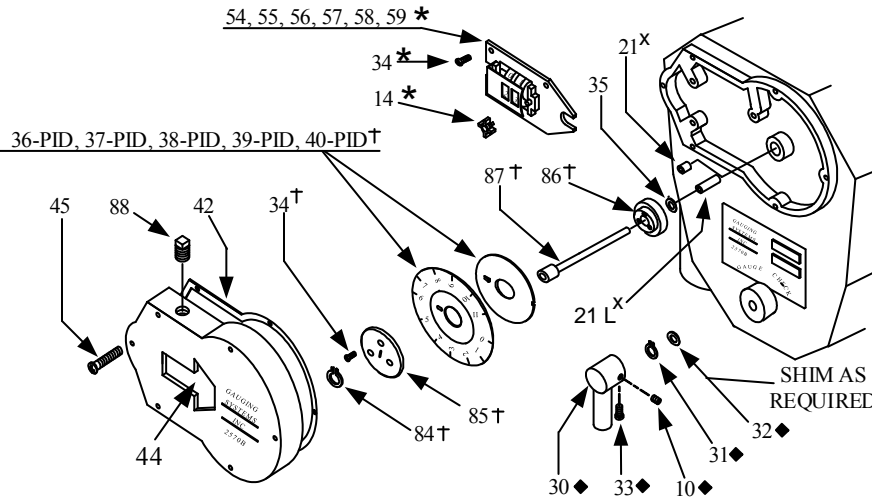


Date	Date Req d	Terms	FOB	Ship Via
Customer			Cust. Order No.	
Bill To:		Ship To:		

**Contact Name:** \_\_\_\_\_  
**Phone:** \_\_\_\_\_  
**Fax:** \_\_\_\_\_



**GSI-2570 DX (DELUXE)  
Overhaul Kit**

**KIT PART NO. GSI-2570-DX-OHK**

No. of Kits Required: \_\_\_\_\_

- English Innage       English Outage
- Decimal Innage       Decimal Outage
- Metric Innage

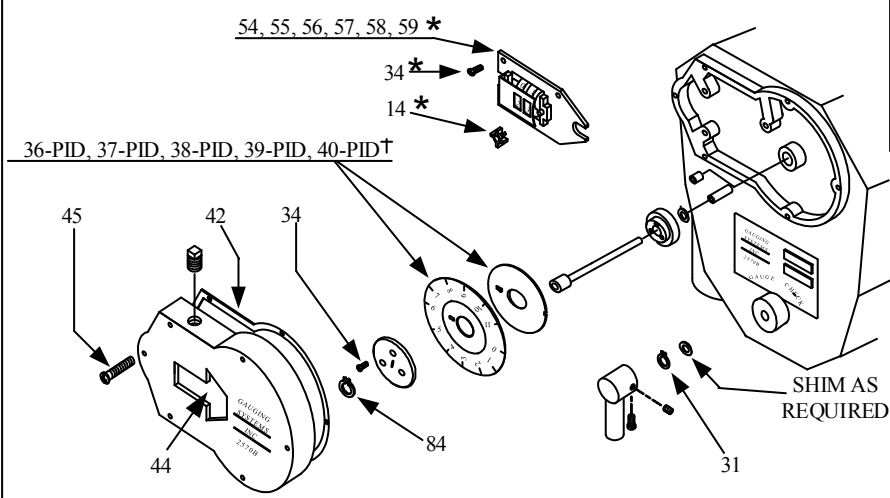
**1** On your selection above, the correct parts will be supplied, English Fractional, Decimal or Metric

	DESCRIPTION OF ITEMS IN KIT	Quantity In Kit
G-2570-5	Back Cover Bolts, 5/16-18 x 1	16
G-2570-7	Tape Keeper, Includes Items 7, 8 & 9 (♀)	1
G-2570-16	Seal, Rubber	1
G-2570-16T	Seal, Teflon	1
G-2570-19	Gland Washer	1
G-2570-BB KIT	Bronze Bushing Kit, 21, 21L & 22 (x)	1
G-2570-SHIM KIT	.005 Thick, .010 Thick, .040 Thick, .060 Thick,	10 of Each
G-2570-27 KIT	Checker Assembly, Includes Items 10, 27, 28, 29, 30, 31, 32, 33 (◆)	1
G-2570-35	Shim, Teflon	6
G-2570-42/1/4GS	Counter, Back Cover & Cap Gasket Set, 42, 1, & 4	1 Each
G-2570-44	Counter Cover Glass	1
G-2570-45	Screw, 1/4-20 x 1-1/2	6
G-2570-46	Sheave Assembly Shaft	2
G-2570-47	Sheave Assembly Snap Ring	2
G-2570-54	Counter Assembly, Includes 13 & 34 (*), 1	1
GSI-NC2500B KIT	Negator Cassette Kit, Includes 53, 68, 69, 99 (*)	1
GSI-DCA	Includes, 71 or 71M, 10, 72, 73, 84, 85, 86, 87, 34 & one of Item 36, 37, 38, 39, 40-PID (†), 1	1
G-2570-88	Pipe Plug, 1/4 NPT	2

COPYRIGHT ©  
2009 by Gauging Systems Inc. All rights reserved

Date	Date Req d	Terms	FOB	Ship Via
Customer			Cust. Order No.	
Bill To: _____			Ship To: _____	
_____			_____	
_____			_____	

**Contact Name:** \_\_\_\_\_  
**Phone:** \_\_\_\_\_  
**Fax:** \_\_\_\_\_



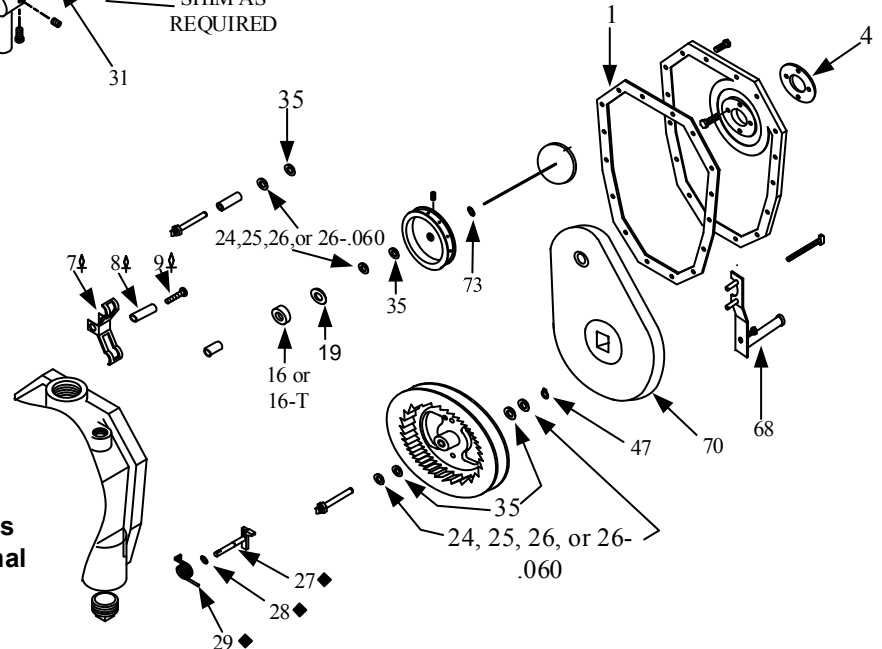
**GSI-2570 DX (DELUXE)  
Maintenance / Spare Parts  
Kit**

**KIT PART NO. GSI-2570-DX-MK**

**No. of Kits Required:** \_\_\_\_\_

- |   |   |
|---|---|
| <input type="checkbox"/> English Innage | <input type="checkbox"/> English Outage |
| <input type="checkbox"/> Decimal Innage | <input type="checkbox"/> Decimal Outage |
| <input type="checkbox"/> Metric Innage  |   |

**1** On your selection above, the correct parts will be supplied, English Fractional, Decimal or Metric



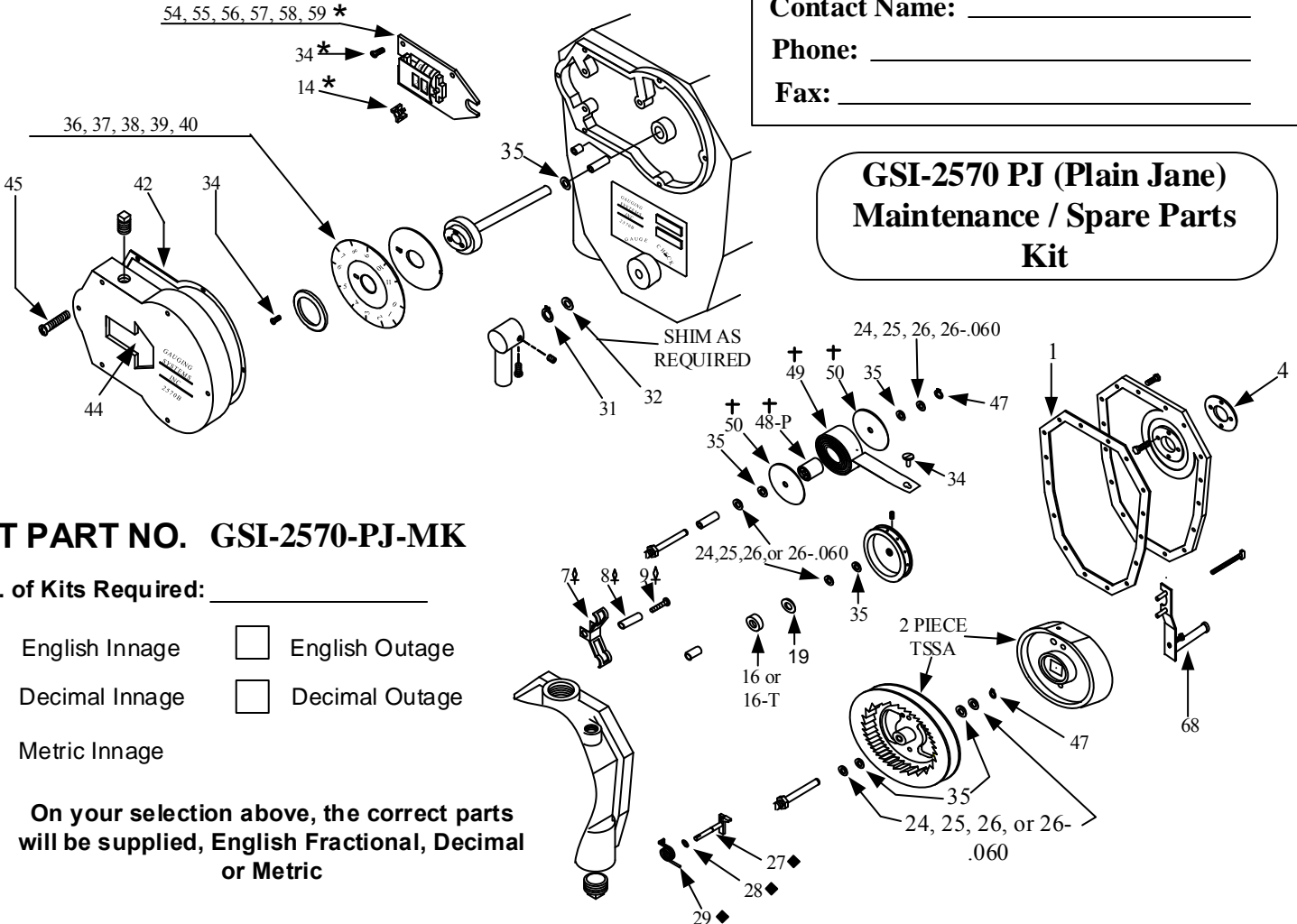
	DESCRIPTION OF ITEMS IN KIT	Quantity In Kit
G-2570-7	Tape Keeper, Includes Items 7, 8 & 9 (‡)	
G-2570-10	Snap Ring	1
G-2570-16	Seal, Rubber	1
G-2570-16T	Seal, Teflon	1
G-2570-19	Gland Washer	1
G-2570-SHIM KIT	.005 Thick, .010 Thick, .040 Thick, .060 Thick,	10 of Each
G-2570-27	Checker Assembly, Includes Items 27, 28, 29 (◆)	1
G-2570-31	Snap Ring	1
G-2570-34	Screw, 8-32 x 3/8	3
G-2570-35	Shim, Teflon	6
G-2570-42/1/4GS	Counter, Back Cover & Cap Gasket Set, 42, 1, & 4	1 Each
G-2570-44	Counter Cover Glass	1
G-2570-45	Screw, 1/4-20 x 1-1/2	6
G-2570-47	Sheave Assembly Snap Ring	2
G-2570-54	Counter Assembly, Includes 13 & 34 (*) ⚠	1
G-2570-68	Negator Cassette	1
G-2570-70	Negator Cassette Crank Handle	1
G-2570-73	0 Ring	1
G-2570-84	Snap Ring	1
G-2570-36PID	Dial & Dial Gear (†) ⚠	1 Each

COPYRIGHT ©  
2009 by Gauging  
Systems Inc. All  
rights reserved

Date	Date Req d	Terms	FOB	Ship Via
Customer			Cust. Order No.	
Bill To: _____			Ship To: _____	
_____			_____	
_____			_____	

**Contact Name:** \_\_\_\_\_  
**Phone:** \_\_\_\_\_  
**Fax:** \_\_\_\_\_

**GSI-2570 PJ (Plain Jane)  
Maintenance / Spare Parts  
Kit**



**KIT PART NO. GSI-2570-PJ-MK**

No. of Kits Required: \_\_\_\_\_

- |   |   |
|---|---|
| <input type="checkbox"/> English Innage | <input type="checkbox"/> English Outage |
| <input type="checkbox"/> Decimal Innage | <input type="checkbox"/> Decimal Outage |
| <input type="checkbox"/> Metric Innage  |   |

**1** On your selection above, the correct parts will be supplied, English Fractional, Decimal or Metric

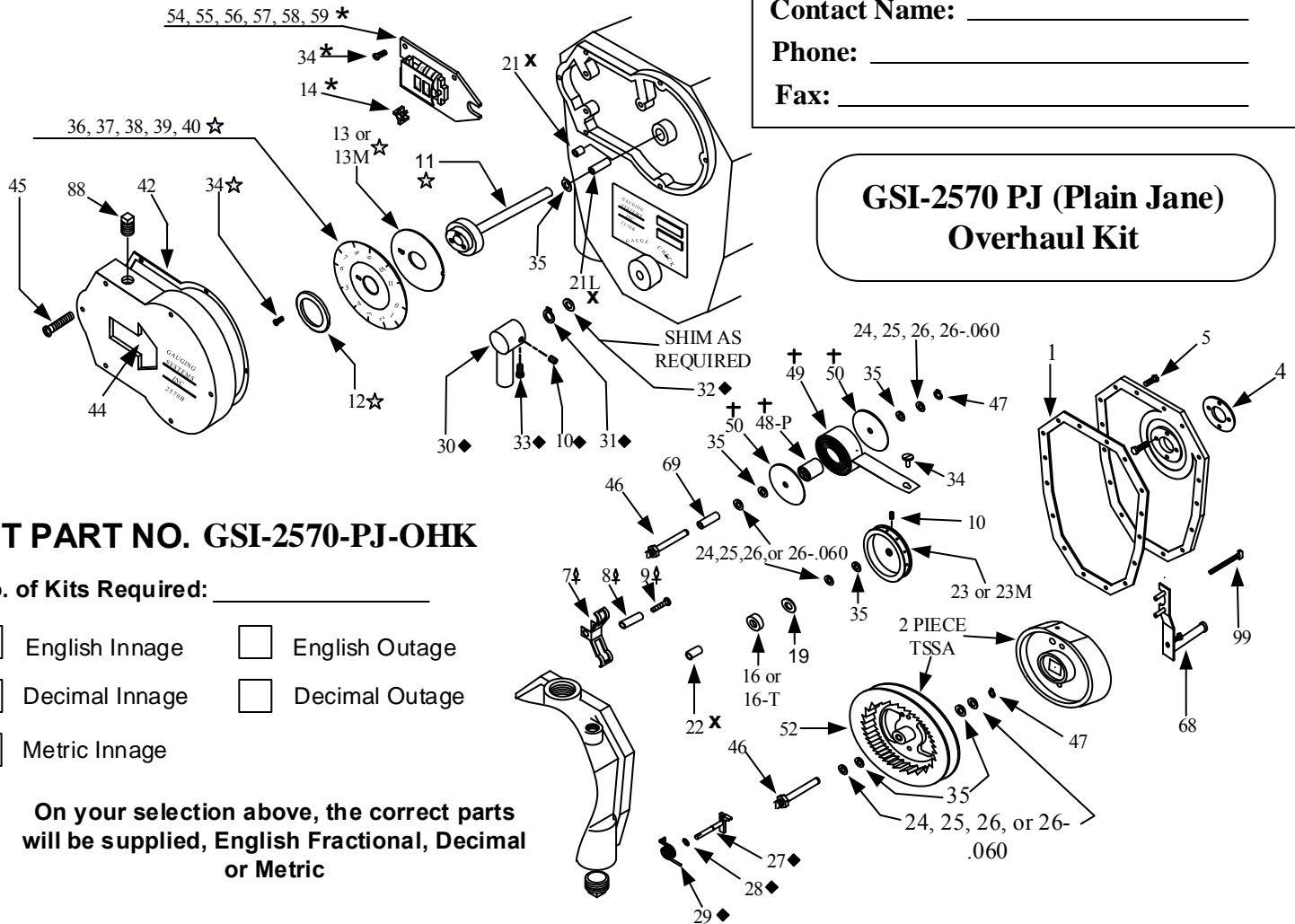
	DESCRIPTION OF ITEMS IN KIT	Quantity In Kit
G-2570-7	Tape Keeper, Includes Items 7, 8 & 9 (‡)	1
G-2570-16	Seal, Rubber	1
G-2570-16T	Seal, Teflon	1
G-2570-19	Gland Washer	1
G-2570-SHIM KIT	Shims, .005, .010, .040, .060, Items 24, 25, 26, 26-.060	10 of Each
G-2570-27	Checker Assembly, Includes Items 27, 28, 29, 31, 32 (◆)	1
G-2570-34	Screw, 8-32 x 3/8	4
G-2570-36	Dial <b>1</b>	1
G-2570-35	Shim, Teflon	6
G-2570-42/1/4GS	Counter, Back Cover & Cap Gasket Set, 42, 1, & 4	1 Each
G-2570-44	Counter Cover Glass	1
G-2570-45	Screw, 1/4-20 x 1-1/2	6
G-2570-47	Sheave Assembly Snap Ring	2
G-2570-48-P-KIT	Negator Motor & Hub, Includes 48-P, 49, & 50 (+)	1
G-2570-54	Counter Assembly, Includes 13 & 34 (*) <b>1</b>	1
G-2570-68	Crank Handle	1
		1
		1
		1

COPYRIGHT ©  
2009 by Gauging  
Systems Inc. All  
rights reserved

Date	Date Req d	Terms	FOB	Ship Via
Customer			Cust. Order No.	
Bill To:		Ship To:		

**Contact Name:** \_\_\_\_\_  
**Phone:** \_\_\_\_\_  
**Fax:** \_\_\_\_\_

**GSI-2570 PJ (Plain Jane)  
Overhaul Kit**



**KIT PART NO. GSI-2570-PJ-OHK**

No. of Kits Required: \_\_\_\_\_

- |   |   |
|---|---|
| <input type="checkbox"/> English Innage | <input type="checkbox"/> English Outage |
| <input type="checkbox"/> Decimal Innage | <input type="checkbox"/> Decimal Outage |
| <input type="checkbox"/> Metric Innage  |   |

1 On your selection above, the correct parts will be supplied, English Fractional, Decimal or Metric

	DESCRIPTION OF ITEMS IN KIT	Quantity In Kit
G-2570-7	Tape Keeper, Includes Items 7, 8 & 9 (♣)	1
G2570-101	Dial/Hub Assy, Includes 11, 12, 13, 34, & 36 (* ) Δ	1 Each
G-2570-16	Seal, Rubber	1
G-2570-16T	Seal, Teflon	1
G-2570-19	Gland Washer	1
G-2570-SHIM KIT	.005 Thick, .010 Thick, .040 Thick, .060 Thick,	10 of Each
G-2570-27 KIT	Checker Assembly, Includes Items 10, 27, 28, 29, 30, 31, 32, 33 (◆)	1
G-2570-35	Shim, Teflon	6
G-2570-42/1/4GS	Counter, Back Cover & Cap Gasket Set, 42, 1, & 4	1
G-2570-44	Counter Cover Glass	1
G-2570-45	Screw, 1/4-20 x 1-1/2	6
G-2570-47	Sheave Assembly Snap Ring	2
G-2570-48-P-KIT	Negator Motor & Hub, Includes 48-P, 49, & 50 (†)	1
G-2570-52	Tape Storage Sheave Assembly	1
G-2570-54	Counter Assembly, Includes 13 & 34 (* ) Δ	1
G-2570-70	Crank Handle	1
G-2570-88	Pipe Plug 1/4 NPT	2
G-2570-BB KIT	Bronze Bushing Kit, 21, 21L & 22 (x)	1
G-2570-23	Sprocket, with Set Screws Item 10 Δ	1

COPYRIGHT©  
2009 by Gauging Systems Inc. All rights reserved