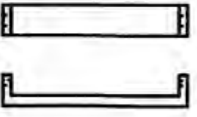

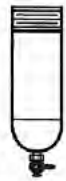


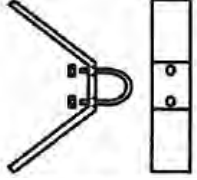
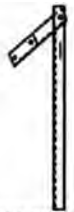

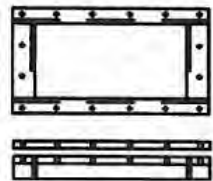
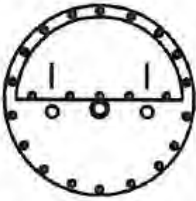
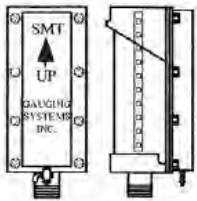
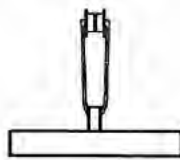
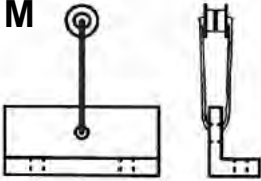

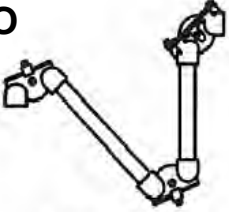
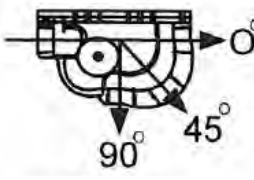
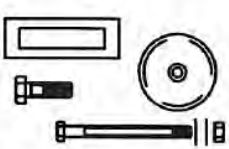
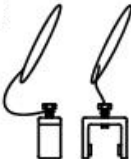
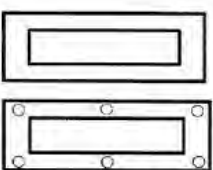
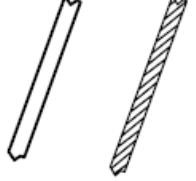

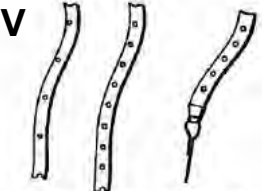
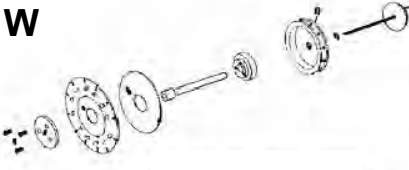
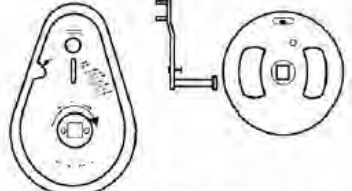


MECHANICAL GAUGE KIT PARTS AND ACCESSORIES I

<p>A</p>  <p>BOTTOM ANCHOR</p>	<p>B</p>  <p>WEIGHTED BOTTOM ANCHOR</p>	<p>C</p>  <p>CONDENSATION BOTTLE, GAUGE BODY</p>	<p>D</p>  <p>CONDENSATION BOTTLE, COUNTER COVER</p>	<p>E</p>  <p>TOP ANCHOR</p>
<p>F</p>  <p>PIPE SUPPORT BRACKET</p>	<p>G</p>  <p>TOP MOUNTING BRACKET</p>	<p>H</p>  <p>PIPE SUPPORT TEE</p>	<p>I</p>  <p>INSPECTION HATCH</p>	<p>J</p>  <p>API COVER, 20" or 24"</p>
<p>K</p>  <p>SCALE & MOISTURE TRAP</p>	<p>L</p>  <p>ROOF WEIGHT</p>	<p>M</p>  <p>DIGESTER CABLE ATTACHMENT BRACKET</p>	<p>N</p>  <p>ELBOW, 90 DEGREE</p>	<p>O</p>  <p>LIQUID SEAL</p>
<p>P</p>  <p>ELBOW, UNIVERSAL</p>	<p>Q</p>  <p>ELBOW / LIQUID SEAL REPLACEMENT KITS</p>	<p>R</p>  <p>YOKE WITH LANYARD</p>	<p>S</p>  <p>ELBOW / LIQUID SEAL LID GASKETS</p>	<p>T</p>  <p>GUIDE WIRE, 1/8" SOLID OR STRANDED</p>
<p>U</p>  <p>CABLE, VINYL OR NYLON COATED</p>	<p>V</p>  <p>MEASURING TAPES, & TAPE/CABLE COMBOS</p>	<p>W</p>  <p>DUAL CALIBRATION ASSEMBLY</p>	<p>X</p>  <p>NEGATOR CASSETTE & CASSETTE KITS</p>	

Note: Other Mechanical Gauge Parts & Accessories are available (Materials, etc.), contact Gauging Systems Inc. (GSI) for additional information

On the back of this page there are part numbers and descriptions that correlate to the drawings above. For a quotation on these parts fill in the quantities on the reverse side. Provide your name, e-mail, company, address, phone, fax, e-mail, and forward the list for quotation to:



Gauging Systems Inc.

910 Industrial Blvd. • Suite A • Sugar Land • Texas • 77478

Phone: (281) 980 - 3999 • Fax: (281) 980 - 6929

Email: GSIHOUTX@msn.com • gaugingsystemsinc.com

Name:	E-mail:	
Company:	Phone:	Fax:
Bill To: _____	Ship To: _____	

QTY	ITEM	GSI PART NO.	REF. 1	REF. 2	DESCRIPTION	PRICE	AMOUNT
	A	GA-AB04-17	AA-1025		Bottom Anchor; Carbon Steel, 2 guides, 17" Diameter		
		GA-AB04-13		JA3540-3	Bottom Anchor; Carbon Steel, 2 guides, 13" Diameter		
		GA-AB08-17-316	05-08208		Bottom Anchor; 316 Stainless Steel, 2 guides, 17" Diameter		
		GA-AB05-13		JA3540-4	Bottom Anchor; Stainless Steel, 2 guides, 13" Diameter		
	B	GA-ABW1-17	BA4481		Anchor, Weighted Bottom 50 lbs., Carbon Steel, 2 guides, 17" Dia.		
		GA-ABW1-13			Anchor, Weighted Bottom 50 lbs., Carbon Steel, 2 guides, 13" Dia.		
		GA-ABW2-17	DA4416		Anchor, Weighted Bottom 50 lbs., 304 S/S, 2 guides, 17" Dia.		
		GA-ABW2-13			Anchor, Weighted Bottom 50 lbs., 304 S/S, 2 guides, 13" Dia.		
	C	GA-CB-B2570	DA4051		Condensation Bottle, Gauge Body, Carbon Steel w/ Brass Petcock		
		GA-CB-92020-B			Condensation Bottle, Gauge Body (GPE) C/S w/ Brass Petcock		
	D	GA-CB-C2570			Condensation Bottle, Counter Cover, Carbon Steel w/ Brass Petcock		
	E	GA-AT01	BM5200		Anchor, Top 1-1/4" NPT, Galv. Steel Housing, S/S Internals		
		GA-AT03	BM5088		Anchor, Top 1-1/4" NPT, 316 S/S Housing and Internals		
	F	GA-BR01	BM3499		Mounting Bracket, Pipe Carbon Steel w/ U-Bolt		
	G	GA-BR02	BM717		Mounting Bracket, Top, External Floating Roof C/S w/ U-Bolt		
	H	GA-BR03			Mounting Bracket, Top, Digester Tank, Galv. Steel, 1-1/2" NPT		
	I	GA-H001	BM6746	JB3530-1	Inspection Cover, Carbon Steel, Welded w/ Bolts & Gasket		
		GA-H002	BM3426	JB3531-1	Inspection Cover, Carbon Steel, Bolted w/ Bolts & Gaskets		
	J	GA-H003	BM3607		Manhole Cover, API 24" Dia., C/S, Bolted w/ Gauge Kit Entrees		
		GA-H004	BM3443		Manhole Cover, API 20" Dia., C/S, Bolted w/ Gauge Kit Entrees		
	K	GSI-SMT			Scale & Moisture Trap, Alum. Housing w/ Brass Drain Cock		
	L	GA-RW001			Roof Weight, 7 lbs., 304 S/S w/ Cable Connector		
	M	GA-BR04			Digester Cable Attachment Bracket		
	N	GSI-SE90	06-08564		Sheave Elbow, 90 Degree, Aluminum, 1-1/2" NPT w/ UHMW Roller		
		GSI-SE90HTR-03	06-07726		Sheave Elbow, 90 Degree, Aluminum, 1-1/2" NPT w/ 304 S/S Roller		
	O	GSI-SE180/135	BM3481		Liquid Seal, 180 Degree, Alum. / Galv., 1-1/2" NPT, UHMW Rollers		
		GSI-SE180/135HT			Liquid Seal, 180 Degree, Alum. / Galv., 1-1/2" NPT, 304 S/S Rollers		
	P	GSI-SE-UNIVERS	BM3621		Universal Elbow, Tape Carrier, 45 or 90 Degree, Alum. 1-1/2" NPT		
		GSI-SE-DRIVE	BM4129		Universal Drive Elbow, Aluminum. 1-1/2" NPT		
	Q	GSI-SE-001	BM4547		Sheave Roller Replacement Kit, Varec Yoke Style Elbow		
		GSI-SE-002		90139	Sheave Roller Replacement Kit, GPE 4 or 6 Bolt Style Elbow		
	R	GSI-SE-101			Yoke & Lanyard, 304 Stainless		
		GSI-SE-102	A370-012		Yoke & Lanyard, Carbon Steel Yoke, 304 Stainless Lanyard & Bolt		
	S	GSI-SE90-GSKT			Elbow Gasket, GSI-SE90		
		02-08563	02-08563		Elbow Gasket, 6 Bolt, Die Cast		
		A371-071	A371-071		Elbow Gasket, Yoke Style		
	T	GA-GW-1/8			Guide Wire, 1/8" Diameter, Solid 316 Stainless Steel		
		GA-GW-C-1/8			Cable, 1/8" Diameter, 7 x 7 Stranded 316 Stainless Steel		
		GA-GW-C-1/16			Cable, 1/16" Diameter, 7 x 7 Stranded 316 Stainless Steel		
	U	GA-GW-C-Poly			Cable, Vinyl Coated, 7 x 7 Stranded 316 S/S, 1/16" Diameter		
	V	TAPE-T-1			TUFF TAPE, 1" Perforation, Specify Length or Tank Height		
		TAPE-T-2			TUFF TAPE, 2" Perforation, Specify Length or Tank Height		
		TAPE-T-M			TUFF TAPE, Metric Perforation, Specify Length or Tank Height		
		TAPE-C-1			Tape/Cable Combination, 1" Perforation, Specify Tank Height		
		TAPE-C-2			Tape/Cable Combination, 2" Perforation, Specify Tank Height		
		TAPE-C-M			Tape/Cable Combination, Metric Perforation, Specify Tank Height		
	W	GSI-DCA-XX			Dual Calibration Assembly, Fractional, Decimal or Metric		
	X	GSI-NC2500B			Negator Cassette "ONLY"		
		GSI-NC2500B Kit	2500		Negator Cassette Kit		
		GSI-NC92020			Negator Cassette "ONLY" for the 92020 or 92021 Gauge		
		GSI-NC92020 Kit			Negator Cassette Kit for the 92020 Gauge		
		GSI-NC92021 Kit			Negator Cassette Kit for the 92021 Gauge		